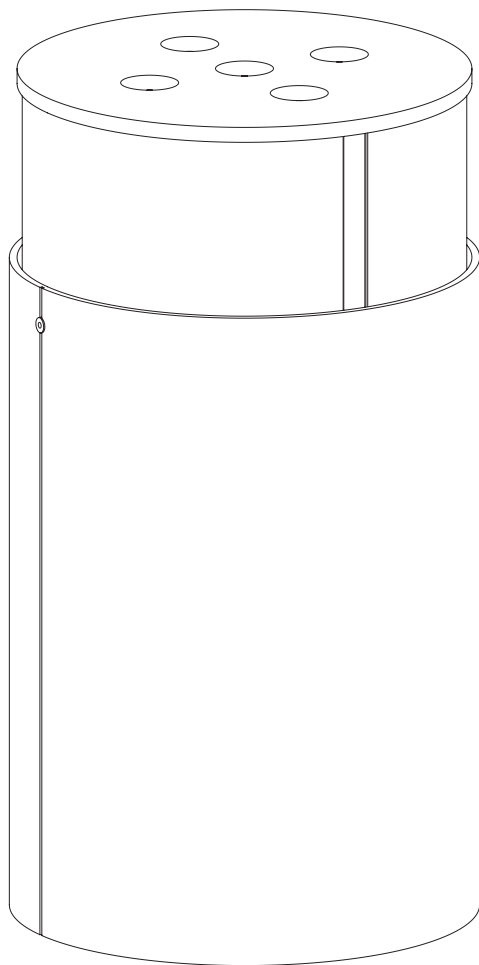


# Vari Bass Ultra

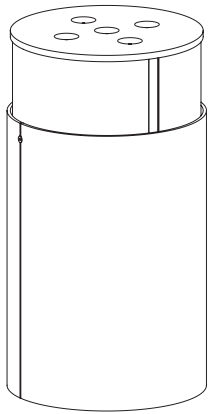
Installation Manual



✓ MATERIAL NEEDED

Included

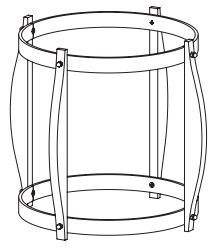
Not Included



Varibass x2



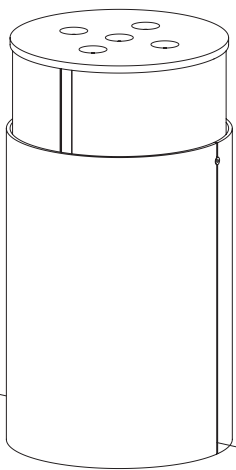
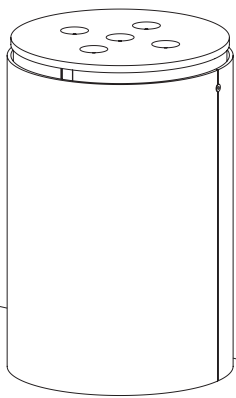
x4



Stacker

1

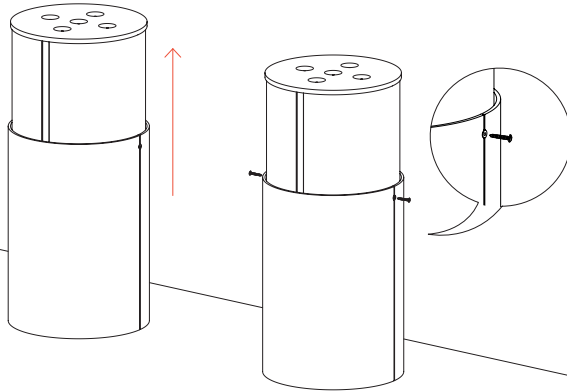
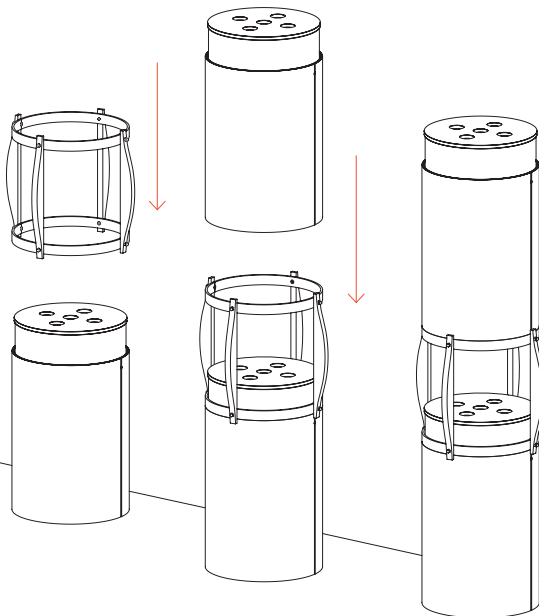
Adjust the height of the inner cylinder to achieve the desired frequency, using the frequency ruler.



**2**

When the product is correctly positioned, place and fix the screws in the designated positions located in the cylindrical box.

The screws will fix to the foam and assure the product stability. Do not try to change the product working frequency when the screws are fixed because you can damage the product. To change the foam position remove the screws and repeat the process.

**3**

### **Main Office, R&D & Logistics**

Avenida do Pólo 3, N.º 159, Carvalhosa  
4590-137 Paços de Ferreira, Portugal  
T (+351) 255 136 746

### **Office**

Rua Quinta do Bom Retiro N.º 16, Armazém 9  
2820-690 Charneca da Caparica, Portugal  
T (+351) 212 964 100

### **Info and Sales**

E [sales@vicoustic.com](mailto:sales@vicoustic.com)

[www.vicoustic.com](http://www.vicoustic.com)

**V//COUSTIC**  
INNOVATIVE ACOUSTIC SOLUTIONS

© Vicoustic, 2019 | V1

No parts of this document might be copied and/or published without written consent of Vicoustic.